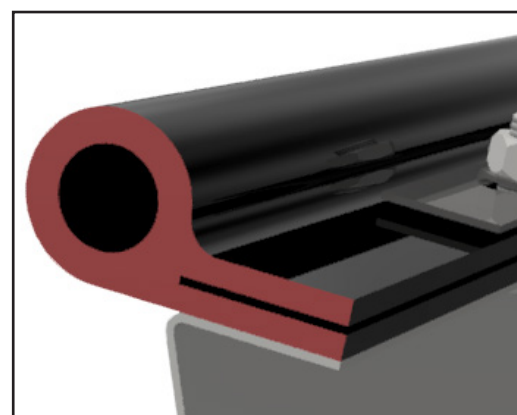
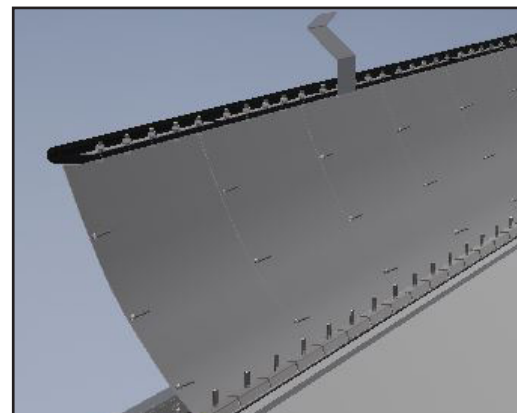


SECONDARY SEAL BUBBLE WIPER TIP

ENGINEERED PRODUCTS FOR ABOVEGROUND STORAGE TANKS
SEAL MATERIAL



The Mesa ETP Bubble Wiper Tip is a proven secondary seal profile used in the industry for years. Now combined with the custom design features of the WG Seals product line, tank owners achieve superior seal performance, particularly with sticky crude oil or other sticky residue products. The lower profile contact area of the extrusion along with the seal's compression forces gives the seal excellent performance characteristics in various petroleum products.



BUBBLE WIPER TIP BENEFITS

- User-friendly installation, no welding or flame cutting required
- PVC/Nitrile blend for superior chemical resistance
- Durable & lower profile surface area contact
- Excellent performance in petroleum above ground storage tanks
- Superior performance for applications with sticky stored products
- Meets EPA and API guidelines

BUBBLE TIP WIPER PROPERTIES	VALUES	ASTM TEST
TENSILE (MPA) MIN.	14 [2,031 PSI]	D412
ELONGATION (%) MIN.	250	D412
DUROMETER [SHORE A]	70-80	D2240
TEAR C [PPI] MIN.	200	D624



MEMBERSHIPS

